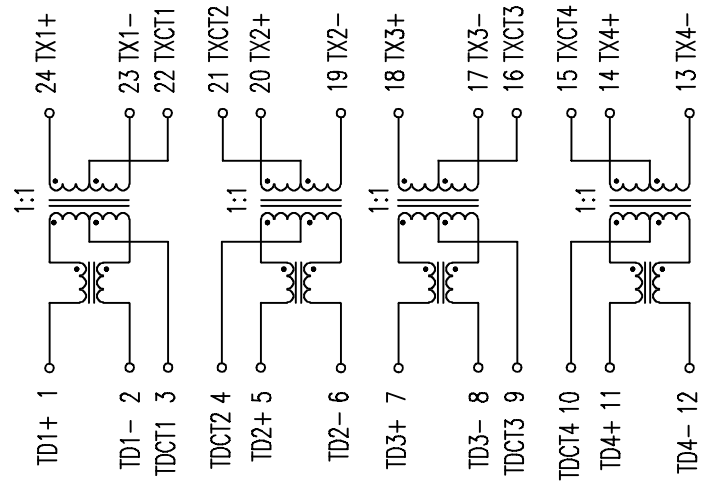


SUGGESTED PCB PAD LAYOUT



ELECTRICAL CHARACTERISTICS :

- INSULATION HI-POT : 1500 Vrms/0.5mA ,1 Sec.
- TURN RATIO (±5%) : 1CT : 1CT
- OCL : 350uH MIN.
- CROSS TALK (dB MIN.) : 30MHz ; -45, 60MHz ; -40, 80MHz ; -35
- INSERTION LOSS (1MHz-100MHz) : -1.0dB MAX.
- RETURN LOSS (dB MIN. @100 Ω) :
 

1-30MHz	40MHz	50MHz	60-80MHz	100MHz
-18	-16	-16	-12	-10
- DIFFERENTIAL TO COMMON MODE REJECTION (dB MIN.) :
 

30MHz	60MHz	100MHz
-43	-37	-33
- RoHS COMPLIANT

UNLESS OTHERWISE SPECIFIED , TOLERANCES XX.X0 ±0.25mm  
0.XX ±0.05mm

								TITLE 100/1000 BASE-T TRANSFORMER	
								DWG. NO. ATPL-444R	
RELEASE						UNITS:	SAFETY		SHEET 1 OF 1
NO:	DESCRIPTION	DATE	BY	CHK	APPD	DATE	P/N:		DRAW
REVISIONS									